



SUBMITTAL DATA – OUTDOOR  
UNIT **MPB030S4M-2P**  
MULTI-ZONE MINI-SPLIT HEAT PUMP

**Job:** \_\_\_\_\_  
**Location:** \_\_\_\_\_  
**Schedule No.:** \_\_\_\_\_  
**System Designation:** \_\_\_\_\_

**Engineer:** \_\_\_\_\_  
**Architect:** \_\_\_\_\_  
**Date:** \_\_\_\_\_  
**For:**  Reference  Approval  Review  Construction

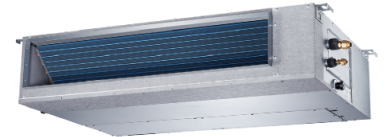
**FEATURES**

**Outdoor Unit: MPB030S4M-2P**

**Indoor Unit Options: Ducted OR Non-Ducted**



- Defrost Control
- DC Inverter Control
- Base Pan Heater
- Crankcase Heater



**Piping**

**Line Set and Elevation Guidelines**

Maximum Number of Indoor Units/Zones	3
Liquid Line Set Diameter (in.)	(3) 1/4
Gas Line Set Diameter (in.)	(3) 3/8
Maximum Pipe Length ft. (m)	197 ft. (60 m)
Maximum Line Set Length - Furthest Indoor Unit	98 ft. (30 m)
Maximum Elevation - Outdoor Unit Below/Above Indoor Unit ft. (m)	49 ft. (15m)
Pre-Charged (ft.)	25 ft.
Additional Charge of Refrigerant (oz/ft.)	0.16

**PRODUCT WARRANTY**

Compressor – Twelve year limited warranty\*  
 All other covered components - Twelve year limited warranty\*  
 \*Product registration required

**OPTIONAL ACCESSORIES**

Hail Guards (M9GARD17Q-1)  
 Mini-Split IDU Controls Wiring Harness (19P86)\*  
 \*Required for BACnet & Lennox VRF Manager (LVM)



NOTE – Due to Lennox' ongoing commitment to quality, Specifications, Ratings, and Dimensions are subject to change without notice and without incurring liability. Improper installation, adjustment, alteration, service or maintenance can cause property damage or personal injury. Installation and service must be performed by a qualified installer and servicing agency.



# SUBMITTAL DATA – OUTDOOR UNIT MPB030S4M-2P MULTI-ZONE MINI-SPLIT HEAT PUMP

## OUTDOOR SPECIFICATIONS

PERFORMANCE		
Cooling Capacity (Btu/h) <sup>1</sup>	Ducted	28,000
	Non-Ducted	28,000
EER	Ducted	11.00
	Non-Ducted	12.5
SEER	Ducted	21.00
	Non-Ducted	23.0
Heating Capacity (Btu/h) <sup>1</sup>	Ducted	28,000
	Non-Ducted	28,000
HSPF	Ducted	10.0
	Non-Ducted	10.3
Outdoor Fan Total Air Volume (CFM)		2130
Ambient Temperature Operating Range		
Cooling		-13 - 122°F
Heating		-13 - 86°F
ELECTRICAL DATA		
Power Supply (V/Hz/Φ)		208-230/60/1
Minimum Circuit Ampacity (A)		25.0
Maximum Overcurrent Protection (A)		35.0
Outdoor Fan Motor RLA (A)		0.90
Compressor RLA (A)		20
No. of Compressors		1

GENERAL DATA	
Connection Ratio (%)	66% to 133%
Max. # of Indoor Units	Up to 3 units
Sound Data (dBA) - Cooling/Heating	63/63
Refrigerant type	R-410A
Factory refrigerant charge	6 lbs. 3 oz.

DIMENSIONS		
Unit Dimensions (in)	Height	31-7/8
	Width	37-1/4
	Depth	15-7/8
Shipping Weight (lb)		161
Net Weight (lb)		150

- NOTES**
- Cooling and Heating Capacity data is rated at the following conditions:  
 Cooling: 80°FDB / 67°FWB Indoor, 95°FDB Outdoor  
 Heating: 70°FDB Indoor, 47°FDB / 43°FWB Outdoor

## Multi-Zone System Combinations

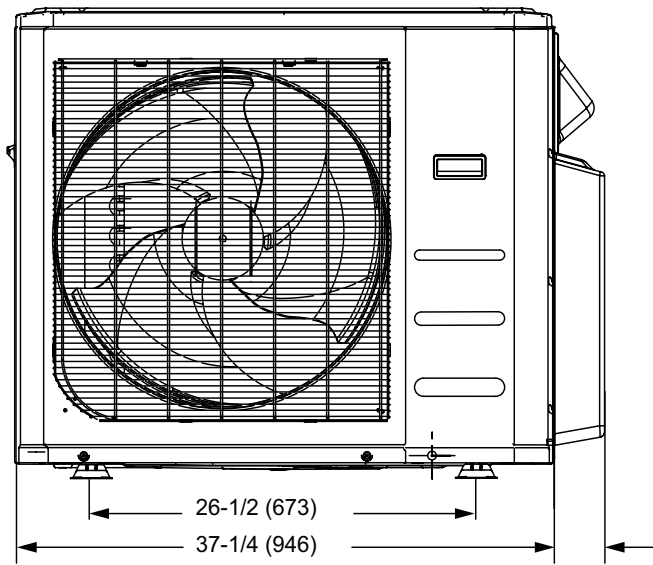
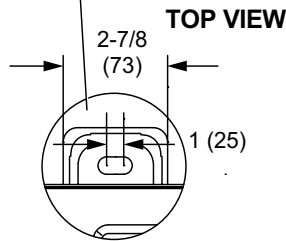
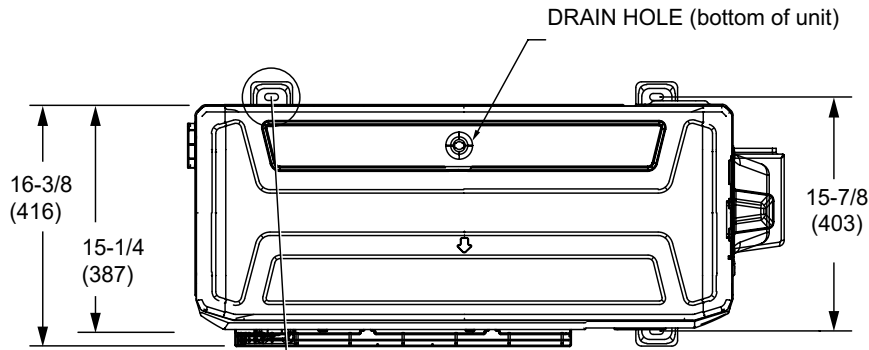
Outdoor Unit Model No.	Number of Zones	Indoor Unit Capacity					Nominal Cooling Capacity at Rated System Capacity (Btuh)					Nominal Heating Capacity at Rated System Capacity (Btuh)				
		#1	#2	#3	#4	#5	#1	#2	#3	#4	#5	#1	#2	#3	#4	#5
MPB030S4M	1 <sup>1</sup>	018	---	---	---	---	16,600	---	---	---	---	18,000	---	---	---	---
	2	009	009	---	---	---	9,500	9,500	---	---	---	10,000	10,000	---	---	---
		009	012	---	---	---	9,500	12,000	---	---	---	10,000	13,000	---	---	---
		009	018	---	---	---	8,400	16,600	---	---	---	9,000	18,000	---	---	---
		012	012	---	---	---	12,000	12,000	---	---	---	13,000	13,000	---	---	---
		012	018	---	---	---	10,000	15,000	---	---	---	11,200	16,800	---	---	---
	3	009	009	009	---	---	9,000	9,000	9,000	---	---	9,500	9,500	9,500	---	---
		009	009	012	---	---	8,667	8,667	11,667	---	---	9,500	9,500	12,000	---	---
		009	012	012	---	---	8,500	10,500	10,500	---	---	8,500	11,000	11,000	---	---
		009	009	018	---	---	8,300	8,300	13,500	---	---	8,500	8,500	14,500	---	---
		012	012	012	---	---	10,000	10,000	10,000	---	---	10,667	10,667	10,667	---	---

<sup>1</sup> One outdoor unit may be matched with one indoor unit for single zone applications. A second indoor unit can be added at a later date for multi-zone applications.

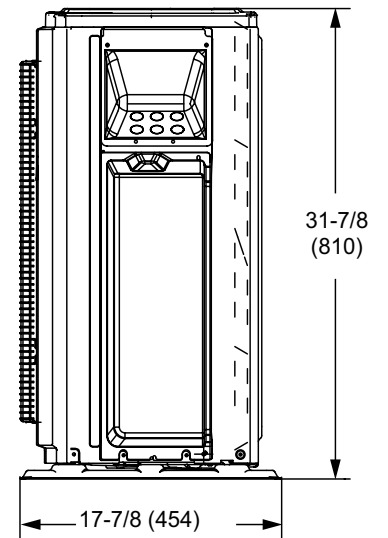


SUBMITTAL DATA – OUTDOOR  
UNIT **MPB030S4M-2P**  
MULTI-ZONE MINI-SPLIT HEAT PUMP

**OUTDOOR DIMENSIONAL DRAWINGS - INCHES (MM)**



**FRONT VIEW**



**SIDE VIEW**

NOTE – Due to Lennox' ongoing commitment to quality, Specifications, Ratings, and Dimensions are subject to change without notice and without incurring liability. Improper installation, adjustment, alteration, service or maintenance can cause property damage or personal injury. Installation and service must be performed by a qualified installer and servicing agency.